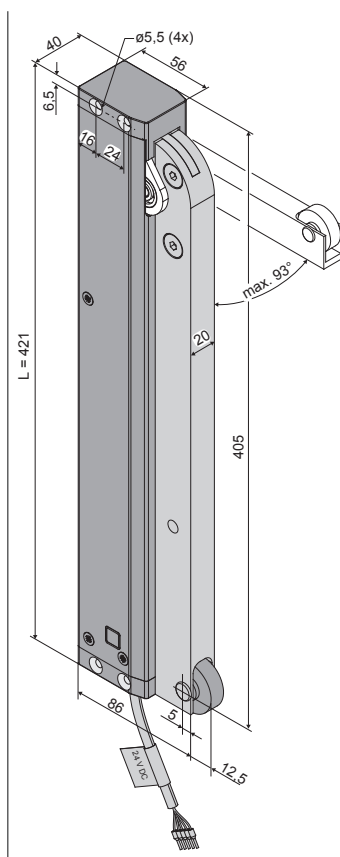


- Application: natural ventilation, SHEV
- Mainly for opening of doors as air inlets
- Internal Intelligent Control Electronics S12
- Programmable contact for door opener
- Unified plug solution for all **AUMÜLLER** chain drives and **AUMÜLLER** folding arm drives

### Options

- Programmable special functions
- M-COM for automatic synchronised run of multi drive systems and automatic sequence control with locking drives (S3 / S12)
- Various customised programmings on request

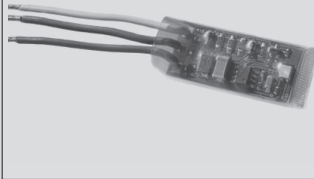



### TECHNICAL DATA

$U_N$	Rated voltage	24V DC ( $\pm 20\%$ ), max. 2 Vpp
$I_N$	Rated current	1,2 A
$I_A$	Cut-off current	1,4 A
$P_N$	Rated power	24 W
ED	Duty cycle	30 % (ON: 3 min. / OFF: 7 min.)
	Protection rating	IP 32
	Ambient temperature range	-5 °C ... +75 °C
$M_A$	Torque OPEN	215 Nm (600 N)
$M_Z$	Torque CLOSE	215 Nm (600 N)
$F_H$	Pullout force	3000 N (fastening depended)
	Lever arm	aluminium (RAL9006)
	Connecting cable	non-halogen, grey 5 x 0,5 mm <sup>2</sup> , ~ 3 m
t	Running time (0° – 90°)	45 s (2,0°/s)  45 s (2,0°/s)
s	Stroke	0 – 93 DEG ( $\pm 5\%$ )
L	Length	421 mm
	Potential free contact	max. 24VDC / 0,5A programmable
	Sound pressure level A	$\leq 70$ dB (A)

ORDER DATA						
s [DEG]	L [mm]	Version	Finish	PU/pcs.	Part.-No.	
0° – 93°	421	FTA600 R S12 24V	E6/C-0	1	524144	
Accessories				PU/pcs.	Part.-No.	
K88 Casement bracket FTA600 R				1	524156	
OPTIONS						
Special model				PU/pcs.	Part.-No.	
<b>Drive housing painted/powder coated in other RAL colours</b>						
<b>Lump sum for coating</b>					516030	
Specify at order stage:				1 – 20	516004	
				21 – 50	516004	
				51 – 100	516004	
				up 101	516004	
<b>Extra length connecting cable:</b>						
10 m – non-halogen, grey – 5 x 0,5 mm <sup>2</sup>					501056	
<b>Microprocessor programming S12</b>						
Electronic stroke reduction 24V S12				1	524190	
Programming drives 24V / 230V S12					524180	
Optional accessories				PU/pcs.	Part.-No.	
Configuration module for synchronised multi-drive systems				1	524177	

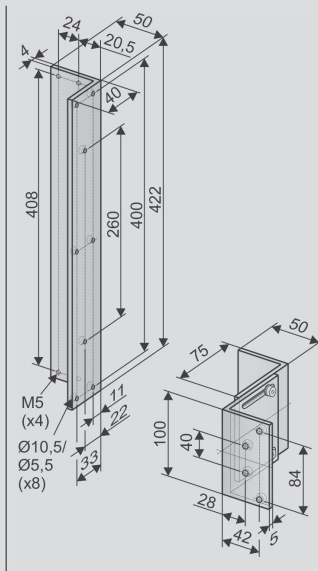
**OPTIONAL ACCESSORIES**

Main control unit and plug solution						
<p><b>M-COM</b></p> 	<p><b>Application</b></p> <p>Configuration module for automatic configuration and surveillance of max. 6 opening or locking drives version S12 / S3 in synchronised multi-drive systems</p> <p><b>Rated voltage:</b> 24 V DC +/- 20%, (max. 2 Vss)</p> <p><b>Current consumption:</b> &lt;12 mA</p> <p><b>Drive type:</b> S12</p> <p><b>Protection rating</b> IP30 rubber envelope</p>	<p><b>Part.-No. 524177</b></p> <p><b>Ambient temperature range</b> 0 °C ... + 70 °C</p> <p><b>Dimensions</b> 45 x 17 x 6 mm</p> <p><b>Connecting wires</b> 3 wires 0,5 mm<sup>2</sup> x 50 mm</p> <p><b>Feature/Equipment</b> Printed circuit board with components and connection wires to be installed in connection box to be supplied on site</p>				
	<p><b>Aumüller-Click plug solution</b></p> 	<p><b>Aumüller-Click plug solution:</b> Unified plug solution for all AUMÜLLER chain drives and AUMÜLLER folding arm drives.</p> <p><b>Rated voltage:</b> 24 V DC +/- 20 %, (max. 2 Vss)</p> <p><b>Connecting cable:</b> non-halogen, grey 5 x 0,5 mm<sup>2</sup></p> <p><b>Terminal:</b> to 1,5 mm<sup>2</sup></p>	<p><b>Feature/Equipment</b></p> <ul style="list-style-type: none"> <li>Flexible cable length</li> <li>Connect multiple drives in series connection</li> <li>Torsion-plug</li> <li>Locking hooks prevent withdrawal of the plug under tensile load</li> <li>Strain relief according DIN EN 60335-1 by screwing the housing halves</li> </ul>			
<b>VARIANTS:</b>						
1 m cable length - 24 V DC		Part.-No. 501250				
2 m cable length - 24 V DC		Part.-No. 501258				
3 m cable length - 24 V DC		Part.-No. 501251				
5 m cable length - 24 V DC		Part.-No. 501252				
10 m cable length - 24 V DC		Part.-No. 501253				

### OPTIONAL ACCESSORIES

#### Casement bracket

K88



#### Application

**Surface mounting** on the **side closing edge** of door frame profiles of inward opening doors as air inlets.

Angle bracket **422 mm** for mounting of FTA600-R on the door frame profile.

Two angle brackets 100 mm for mounting on the door as sliding guidance of the carrier role, adjustable for compensation of the door overlap

**Part.-No. 524156**

**Material/Finish**  
aluminium

**Feature/Equipment**

1x angle 50x40x422

(t = 4) mm

2x angles 50x75x100

(t = 5) mm

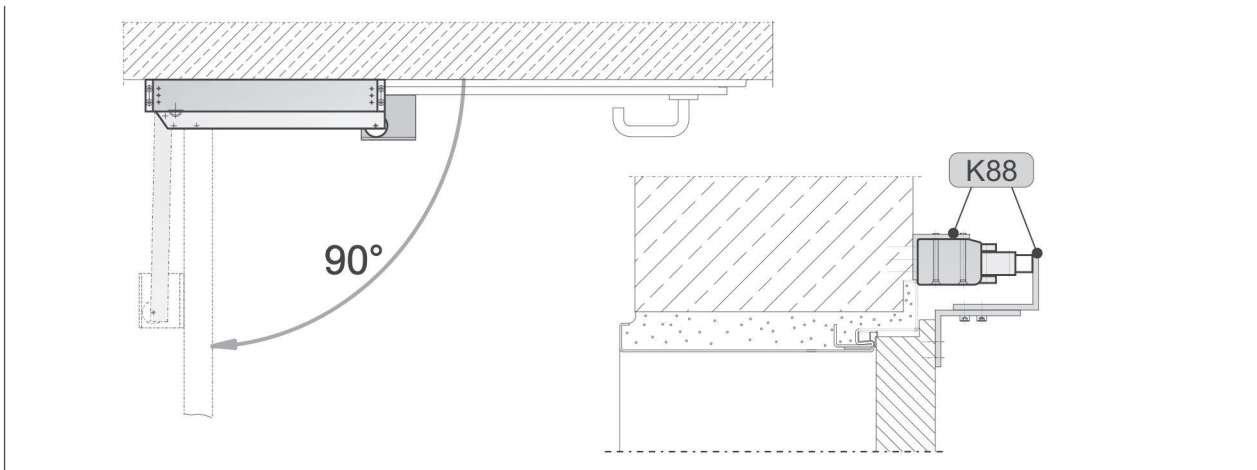
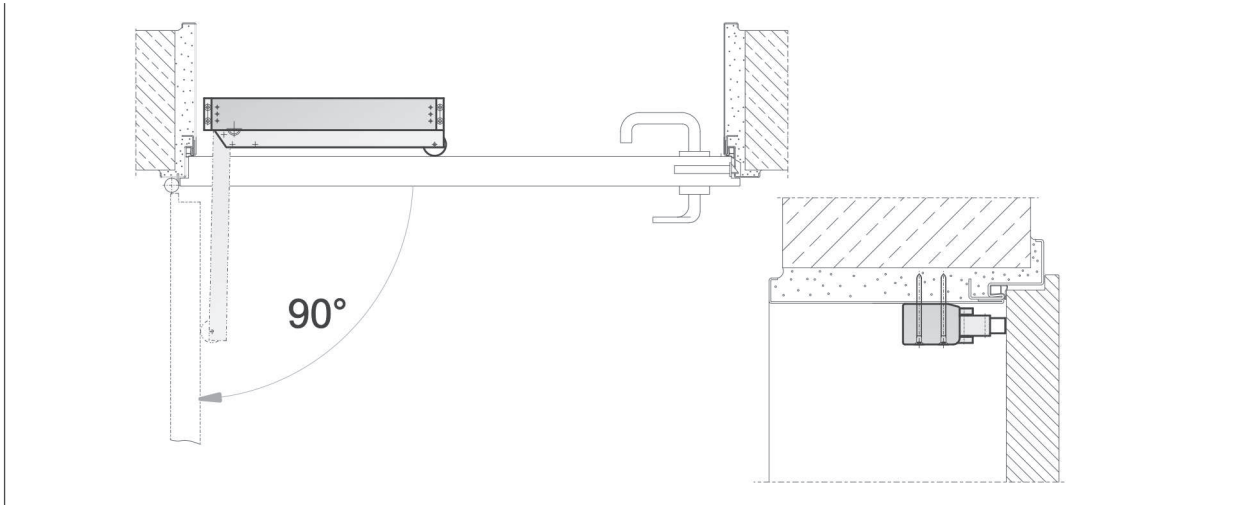
fixing screws and nuts

**Load**

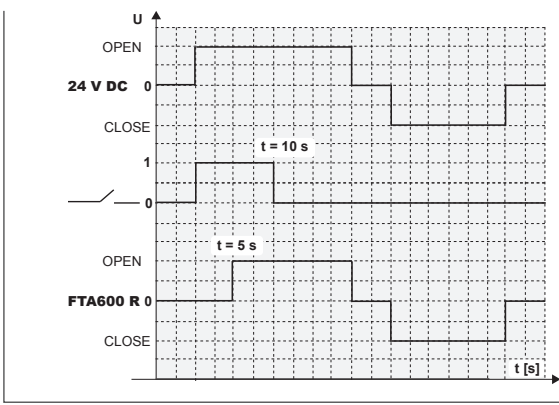
max. 600 N

Special model	PU/pcs.	Part.-No.		
<b>Casement brackets painted / powder coated in other RAL colours</b>				
<b>Lump sum for coating</b>		<b>516030</b>		
Specify at order stage:	1 – 20	<b>516032</b>		
	21 – 50	<b>516032</b>		
	51 – 100	<b>516032</b>		
	up 101	<b>516032</b>		
<b>Frame brackets painted / powder coated in other RAL colours</b>				
<b>Lump sum for coating</b>		<b>516030</b>		
Specify at order stage:	1 – 20	<b>516031</b>		
	21 – 50	<b>516031</b>		
	51 – 100	<b>516031</b>		
	up 101	<b>516031</b>		

Typical applications



Contact diagramm



After application of the voltage, the door lock contact is activated for 10 seconds. With a delay of about 5 seconds, the drive arm of the folding arm drives **FTA600 R** starts moving and opens to an angle of max. 93°.

During the **closing operation**, the door lock contact is not activated.