

Alarm and malfunction signalling module WSA 301/308

WSA 301 for WSC 304 01 and WSC 304 61
WSA 308 for WSC 308 01 and WSC 316 01

Function

The module for external signalling of alarm and malfunction of a smoke ventilation unit. Also necessary when connecting several smoke ventilation units in cascade.

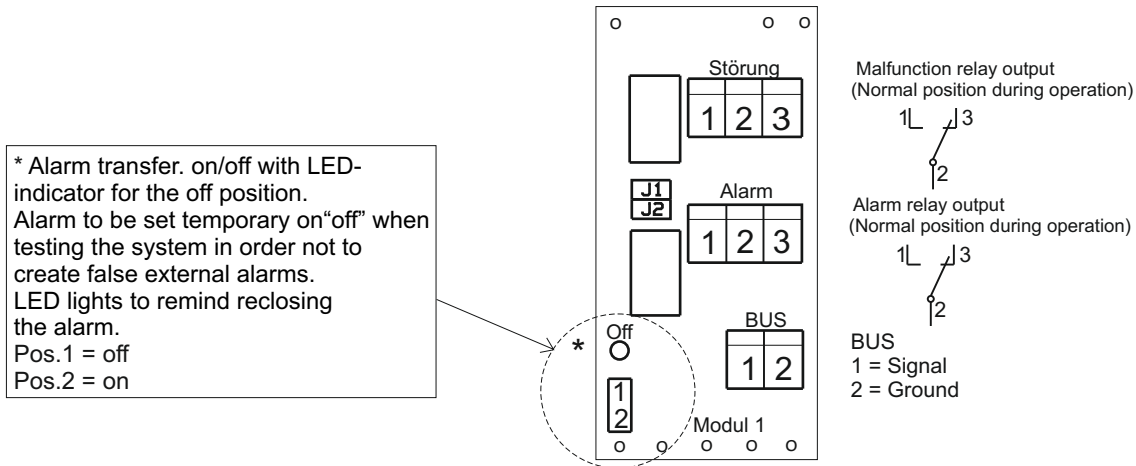
Installation

- Disconnect mains and batteries
- Plug-in module (check that plugs have not been bent or squeezed)
- Connect mains and batteries
- Check all functions of the smoke ventilation system

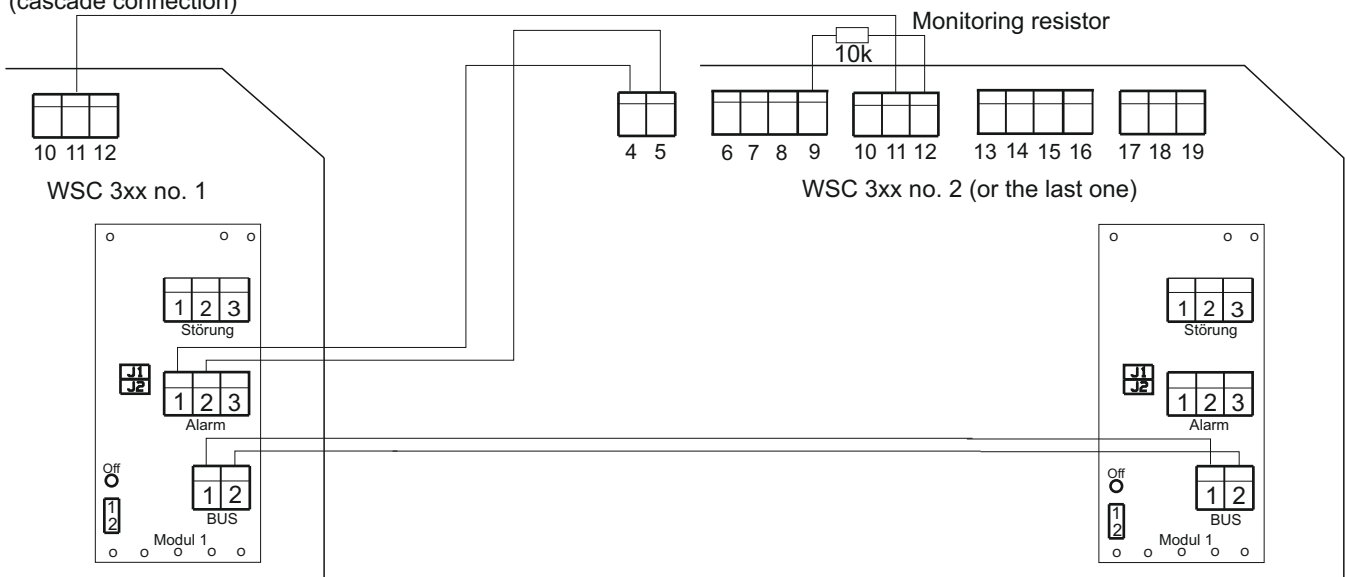
Technical specifications

Malfunction: One potential free change-over switch (max. 60 V, 1 A)
Alarm: One potential free change-over switch (max. 60 V, 1 A)
Bus malfunction: Twin-poled connector for signalling malfunctions back to the smoke ventilation of the main (first) smoke ventilation unit of the cascade.

Jumper set at J2 = Potential free alarm and malfunction signalling (factory setting)



Jumper set at J1 = Transfer of alarm signal to the following smoke ventilation unit through its terminals 4 and 5 (cascade connection)



WindowMaster GmbH Hellerweg 180 32052 Herford **Deutschland** Tel.: +49 (0) 5221 6940 500 Fax: +49 (0) 5221 6940 610

WindowMaster Control Systems Ltd. Kettering Parkway Wellingborough Road Kettering Northants NN15 6XR **United Kingdom** Tel.: +44 (0) 1536 510990 Fax: +44 (0) 1536 526321

WindowMaster A/S Skelstedet 13 2950 Vedbæk **Danmark** Tel.: +45 4567 0300 Fax: +45 4567 0390

WindowMaster AG Industriestrasse 7 4632 Trimbach **Schweiz** Tel.: +41 (0) 62 289 22 22 Fax: +41 (0) 62 289 22 20

www.windowmaster.com